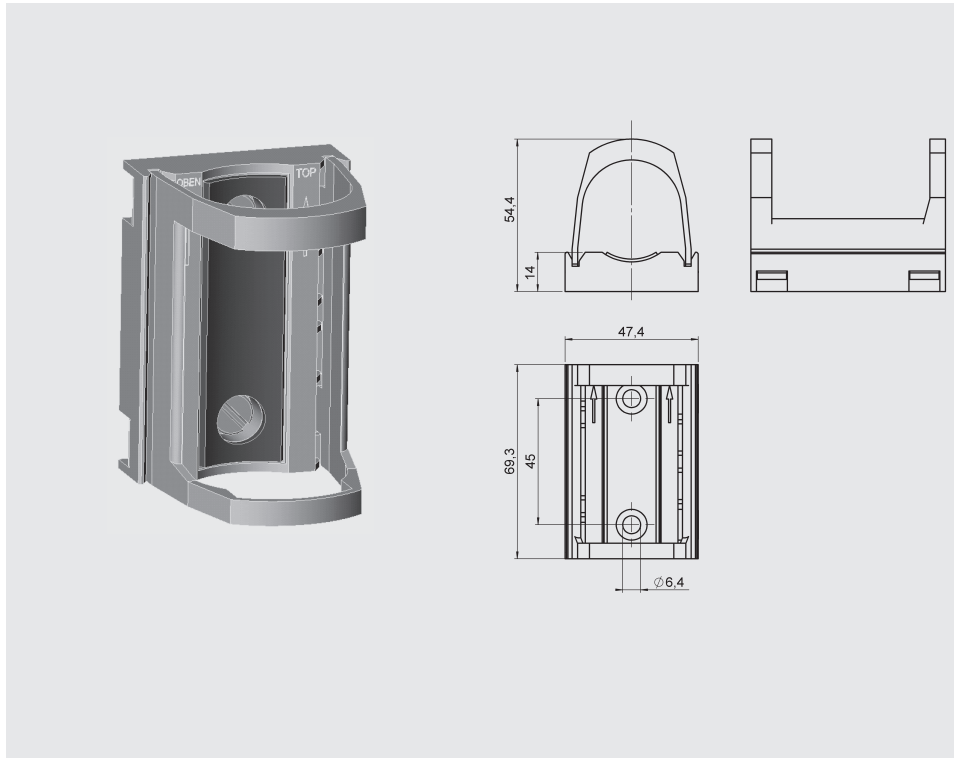


Mounting accessories, device-specific EDS 300, ETS 300

ZBM 300

Clamp for wall-mounting
- screw-type fitting -
(Material polypropylene)
Part No.: 906385



ZBM 310

Clamp for wall-mounting
- weld-type fitting -
(Material polypropylene,
aluminium AlSi12, steel)
Part No.: 6011511

